

MIT OpenCourseWare
<http://ocw.mit.edu>

6.334 Power Electronics
Spring 2007

For information about citing these materials or our Terms of Use, visit: <http://ocw.mit.edu/terms>.

Chapter 4

Phase-controlled Rectifiers

Read Chapter 5 of “Principles of Power Electronics” (KSV) by J. G. Kassakian, M. F. Schlecht, and G. C. Verghese, Addison-Wesley, 1991.

Thyristor Devices: SCR (Silicon Controlled Rectifier)

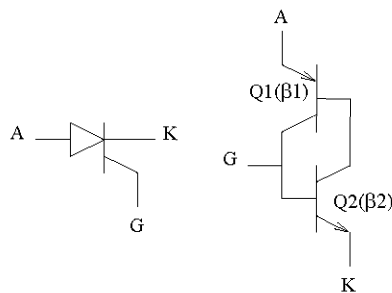


Figure 4.1: Thyristor

SCR: Acts like a diode where you can select when conduction will start, but not when it stops.

- Stay off until a gate pulse is applied while $V_{AK} > 0$.

- Once on, behaves like a diode and does not turn off until $i \rightarrow 0$.
- To stay off (after $V_{AK} > 0$ again) must have i stay at 0 for a short time t_q (10 – 100 μs)

So the device is semi-controlled: we control the turn on point, but only turns off when circuit conditions force it to.

Simple example:

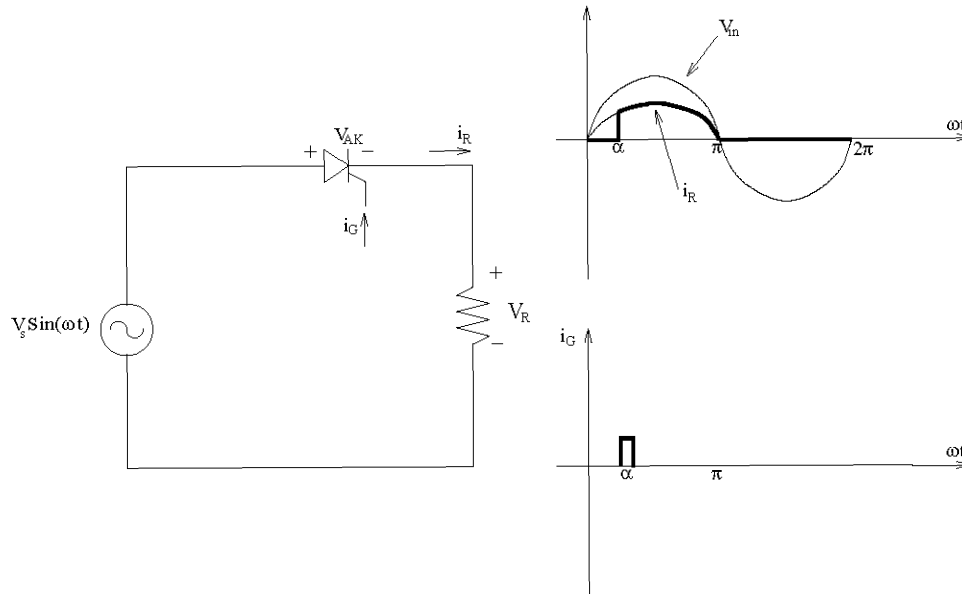


Figure 4.2: Example

Phase of thyristor turn on (with respect to line voltage) is termed firing angle α .

Consider a full-bridge converter (inductive/current load).

Diode version:

$$\langle v_0 \rangle = \frac{1}{\pi} \int_0^\pi V_s \sin \phi d\phi$$

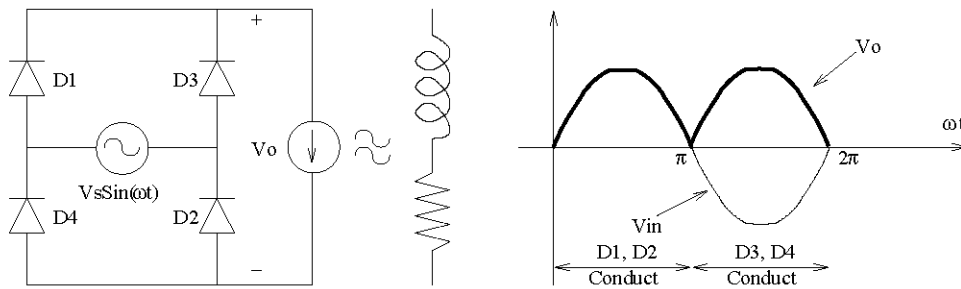


Figure 4.3: Diode Version

$$= \frac{2V_s}{\pi} \tag{4.1}$$

Thyristor (phase-controlled) version (firing angle α):

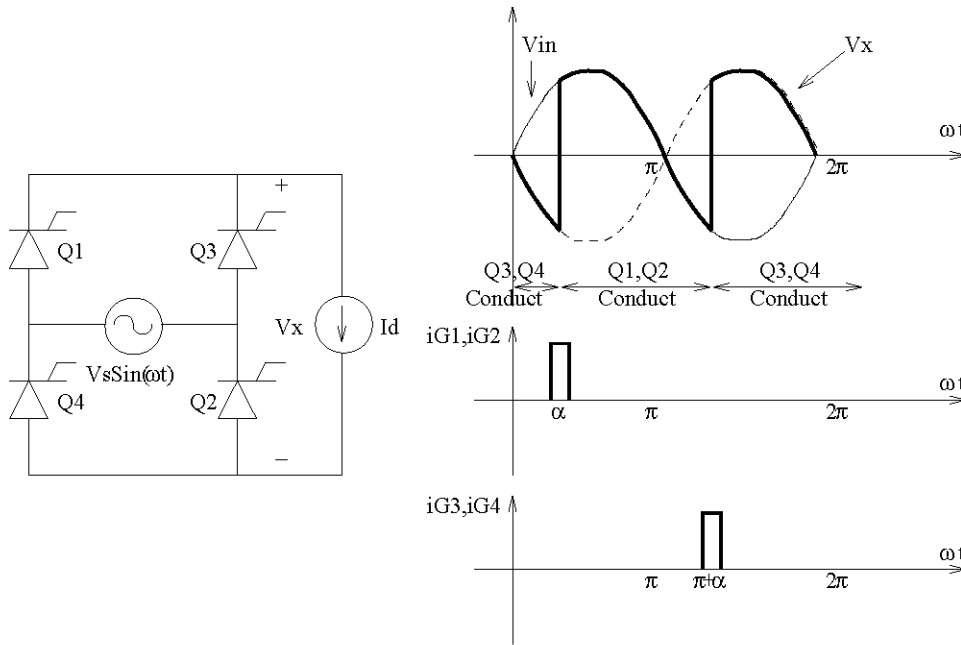


Figure 4.4: Thyristor Version

Lets analyze the output voltage $\langle v_x \rangle$:

$$\langle X_x \rangle = \frac{1}{\pi} \int_{\alpha}^{\pi+\alpha} V_s \sin(\phi) d\phi$$

$$= \frac{2V_s}{\pi} \cos \alpha \tag{4.2}$$

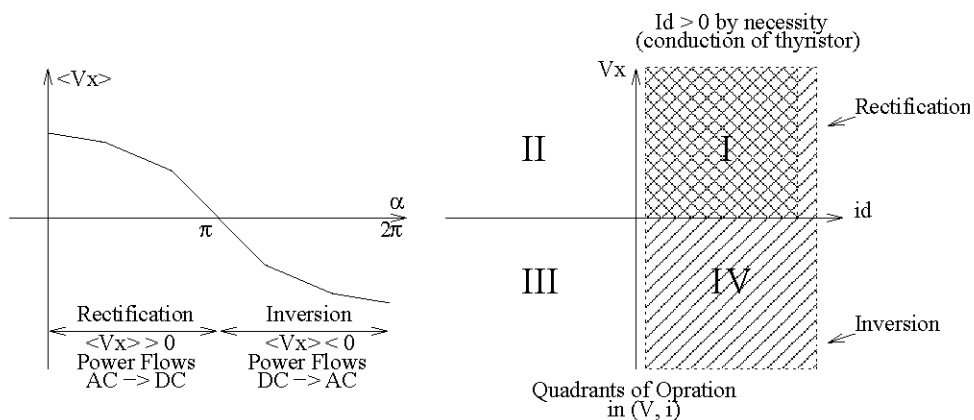


Figure 4.5: Output Voltage

So with a phase controlled converter, we can regulate the output voltage by varying firing angle α . We can even cause power flow from dc-side to ac-side as long as $I_d > 0$ (e.g., pull power out of inductor and put into line).

Consider the power factor of a phase-controlled converter:

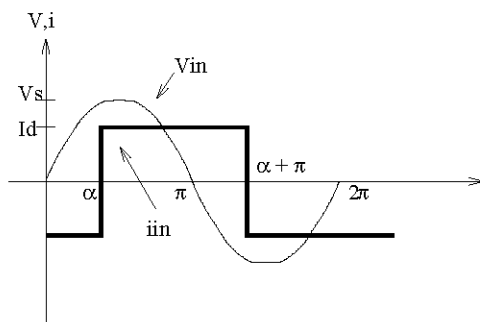


Figure 4.6: Power Factor

$$k_p = k_d K_\theta$$

$$\begin{aligned}
 &= \frac{I_{1,RMS}}{I_{RMS}} \cos \phi_1 \\
 &= \frac{\frac{4}{\pi\sqrt{2}} I_d}{I_d} \cos \phi_1 \\
 &= \frac{4}{\pi\sqrt{2}} \cos \alpha \\
 &\simeq 0.9 \cos \alpha
 \end{aligned} \tag{4.3}$$

Phase shift of fundamental of square wave in phase with square wave, therefore, $\phi_1 = \alpha$. So the power factor of a phase-controlled converter varies with firing angle α .

Consider the effect of ac-side reactance:

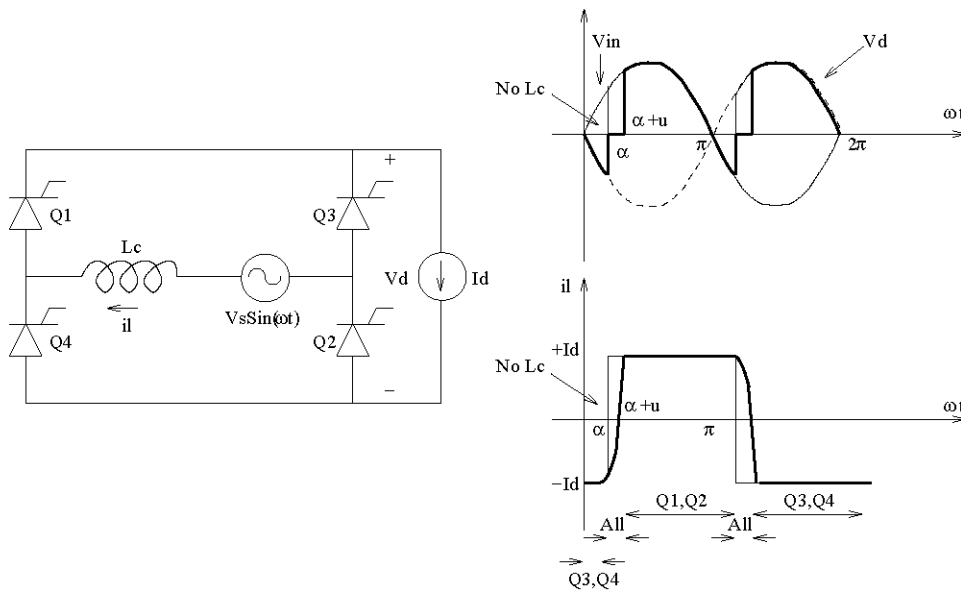


Figure 4.7: AC-Side Reactance

Similar to the diode rectifier case, a commutation period exists during which all devices are on, while current in L_C switches between $+I_d$ and $-I_d$ (between Q_1/Q_2 and Q_3/Q_4).

A similar analyze to the diode case shows that for the full-bridge thyristor converter:

$$\langle v_x \rangle = \frac{2V_s}{\pi} \left[\cos \alpha - \frac{X_C I_d}{V_s} \right] \quad (4.4)$$

Note that the need to commutate devices places a limit on how negative the output voltage can be made as a function of $\frac{X_C I_d}{V_s}$ and α . This is analyzed in KSV, Chapter 5. (require $\alpha + u < \pi$).

Summary:

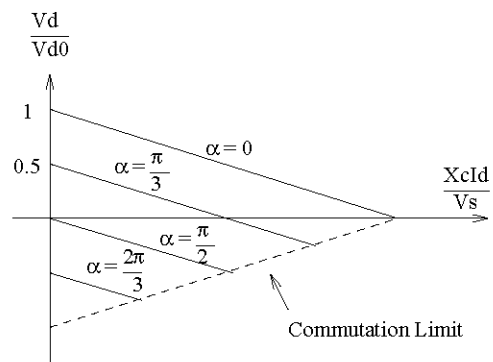


Figure 4.8: Summary