

Problem Wk.8.2: Nano Quiz

Due date: 3/31, 8:50am

Do all parts of this problem and then click Submit. There is only one Submit button, you should only do that when you are finished with all the parts of the problem.

Do not try to start another log in, you will lose what you typed.

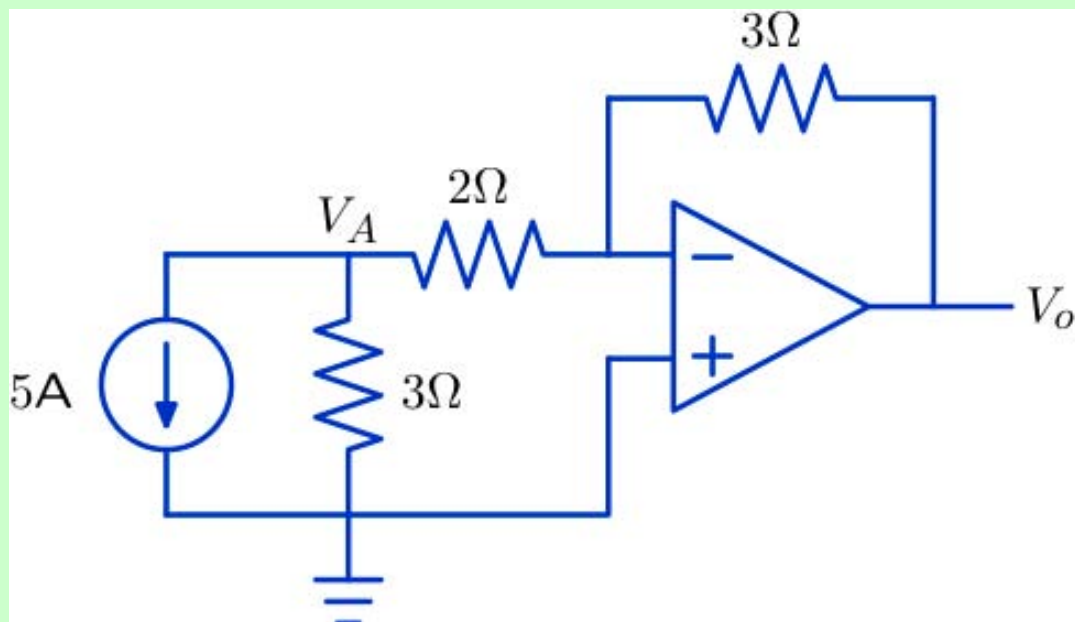
There is a limited checking budget (10 checks) on this quiz.

You have 15 minutes. You must click submit before:

3/31, 8:50am

Part 1: Circuits

Analyze the following circuit, using the ideal op-amp model.



1. Determine the voltage v_A .
Enter your answer (which should be a number) in the box below.

$v_A =$

2. Determine the voltage v_o .
Enter your answer (which should be a number) in the box below.

$V_o =$

Check

Save

Part 2: Enable Submit

Current time is: 4/11/2011, 12:22pm

Click Submit before: 3/31, 8:50am

Enter Done below

and click Submit.

If this problem is submitted past the due time, this subproblem will be marked incorrect.

Check

This is a multi-part problem, each part has its own Save and Check buttons but there is **ONLY ONE** Submit button for the **WHOLE** problem. Finish working on all the parts before you click on **Submit**.

When you are finished with the problem...

Submit



MIT OpenCourseWare
<http://ocw.mit.edu>

6.01SC Introduction to Electrical Engineering and Computer Science
Spring 2011

For information about citing these materials or our Terms of Use, visit: <http://ocw.mit.edu/terms>.