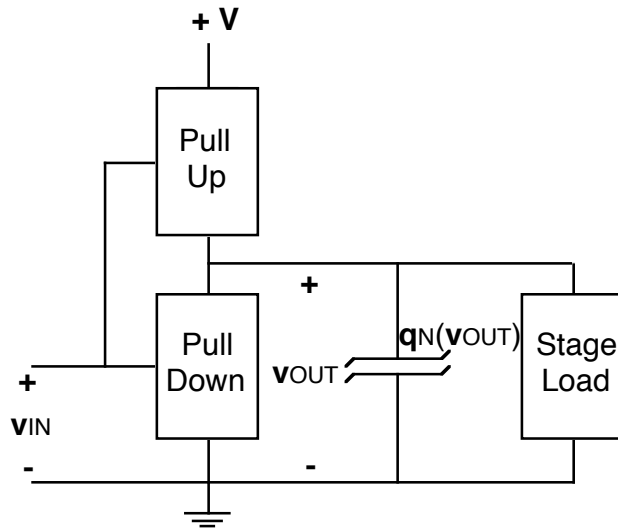
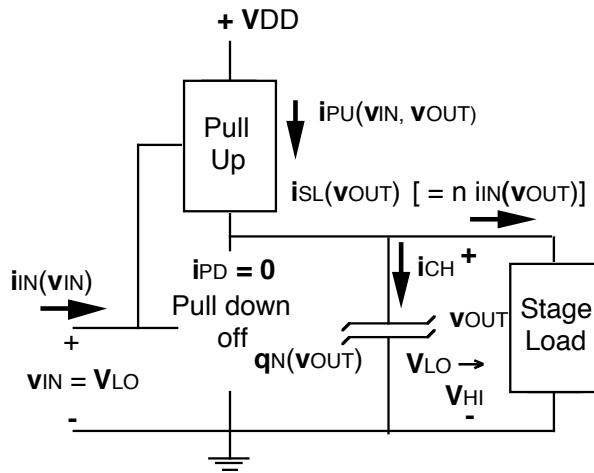


\*\*\*\*\*

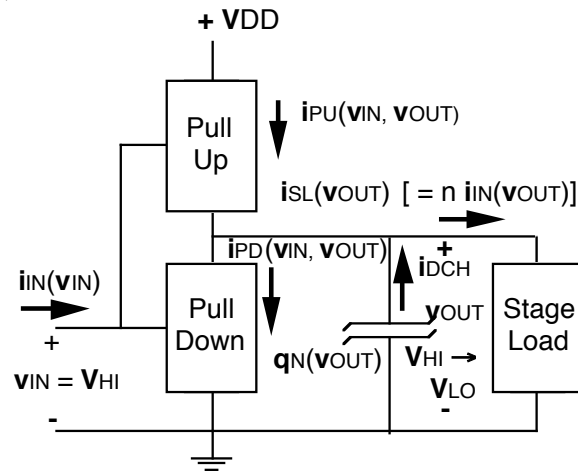
### Inverter Switching Transient Analysis



(a)



(b)



(c)

The generic inverter stage (a) with the non-linear charge store shown explicitly. The charging cycle (b), and the discharging cycle (c).

The charge store will in general be a non-linear function of the output voltage; so too are the currents. Thus the differential equations we must solve are

Charging: 
$$dq_N(v_{OUT})/dt = i_{CH}(v_{OUT}),$$

and

Discharging: 
$$dq_N(v_{OUT})/dt = i_{DCH}(v_{OUT}).$$

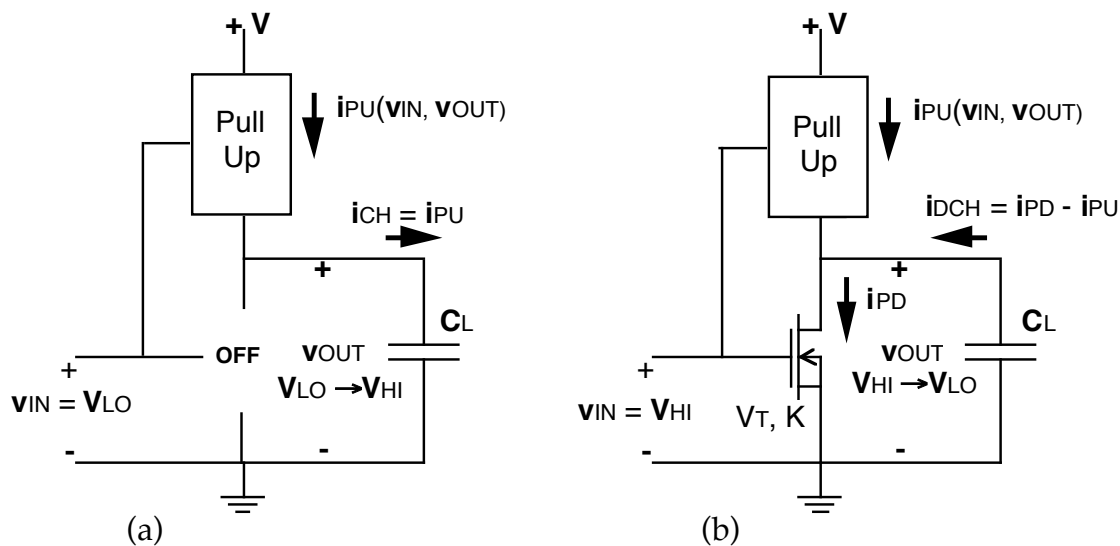
These are in general very complicated and difficult to solve by any means. If, however, the charge store can be modeled as a linear capacitor,  $C_L$  (i.e.,  $q_N \approx C_L v_{OUT}$ ), as illustrated below, then we can write,

$$\text{Charging: } dv_{OUT}/dt = i_{CH}(v_{OUT})/C_L$$

and

$$\text{Discharging: } dv_{OUT}/dt = i_{DCH}(v_{OUT})/C_L$$

These are now differential equations for  $v_{OUT}(t)$  that we should at least be able to solve numerically, if we can not do so analytically. They also show us the value of knowing the size and shape of  $i_{CH}$  and  $i_{DCH}$ . (See Figure 6.14 in the course text, and the discussion accompanying it, for more on this topic).



Charging (a) and discharging (b) cycles with a linear load capacitor and zero static load current. Note that for MOS inverters the static current into the stage load,  $i_{SL}(v_{OUT})$ , is zero.

Finally, if the charge store can be modeled as a linear capacitor and the charging and discharging currents can also be approximated as being constant, then

$$\tau_{LO \rightarrow HI} \approx C_L(V_{HI} - V_{LO})/I_{CH}$$

and

$$\tau_{HI \rightarrow LO} \approx C_L(V_{HI} - V_{LO})/I_{DCH}$$

We will find that we can use such an approximation to advantage when we are analyzing CMOS inverters.

MIT OpenCourseWare  
<http://ocw.mit.edu>

6.012 Microelectronic Devices and Circuits  
Fall 2009

For information about citing these materials or our Terms of Use, visit: <http://ocw.mit.edu/terms>.