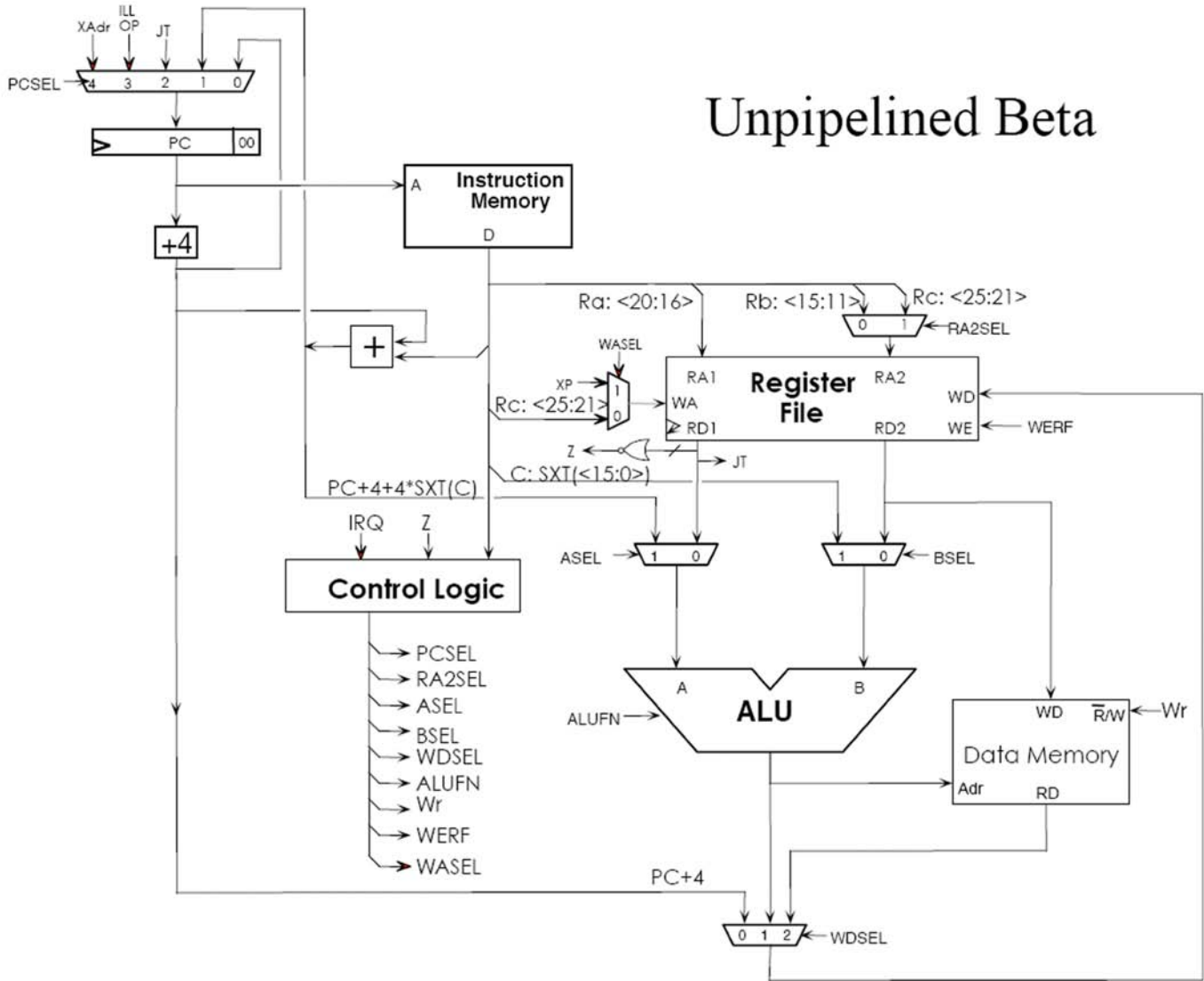


MIT OpenCourseWare
<http://ocw.mit.edu>

6.004 Computation Structures
Spring 2009

For information about citing these materials or our Terms of Use, visit: <http://ocw.mit.edu/terms>.

Unpipelined Beta



Control logic:

	OP	OPC	LD	ST	JMP	BEQ	BNE	LDR	ILLOP	IRQ
ALUFN	F(op)	F(op)	A+B	A+B	--	--	--	A	--	--
WERF	1	1	1	0	1	1	1	1	1	1
BSEL	0	1	1	1	--	--	--	--	--	--
WDSEL	1	1	2	--	0	0	0	2	0	0
WR	0	0	0	1	0	0	0	0	0	0
RA2SEL	0	--	--	1	--	--	--	--	--	--
PCSEL	0	0	0	0	2	Z	~Z	0	3	4
ASEL	0	0	0	0	--	--	--	1	--	--
WASEL	0	0	0	--	0	0	0	0	1	1