

ASSIGNMENT 2.2

INSTRUCTIONS:

Step One:

Photocopy the first three drawings that you produced (for space one) onto a sheet of 11" x 17" bond paper. Do not scale the photocopy, as it should remain the exact same size as your drawing. Cut out each square drawing and tape them together to form three faces of a cube that meet at a common vertex. This set of drawings will serve as a template to build a model of your three drawings.

Step Two:

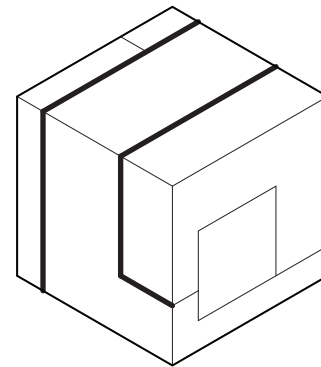
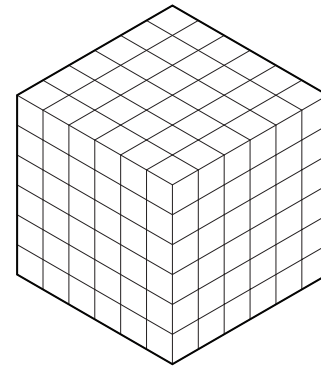
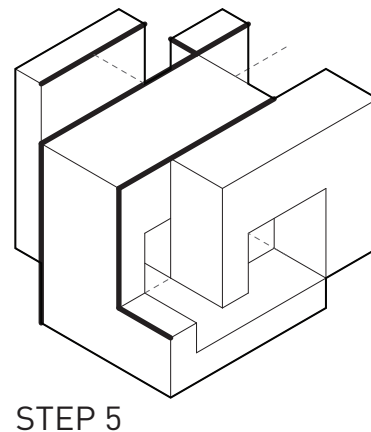
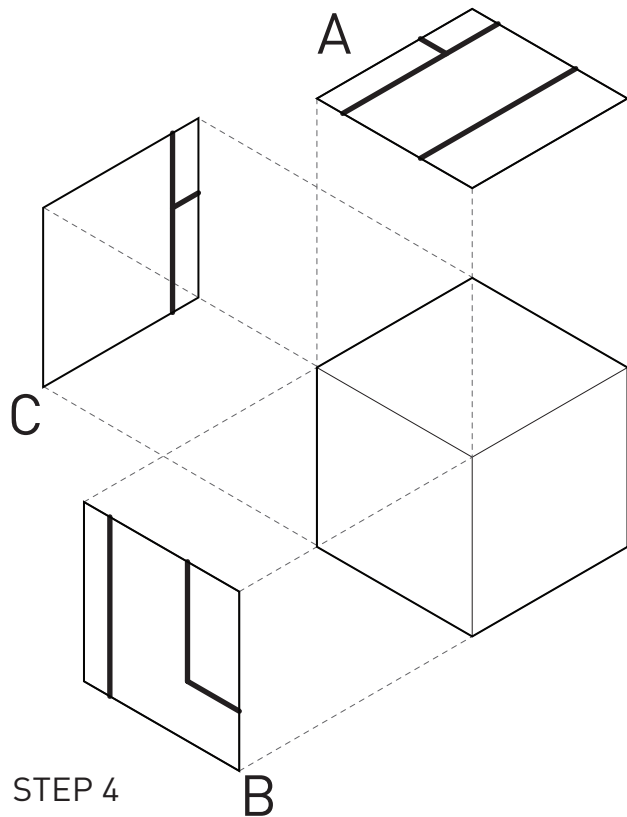
With your model-building template you will be asked to produce a model of a cube out of $1/2"$ x $1/2"$ strips of foam. The cube model should be comprised of three interlocking parts (Think Jenga...). These three interlocking parts should be able to slide apart and stand alone as three separate elements. Each part should have to slide in two directions in order to be removed from the cube. The lines in each drawing (or face of the cube) should correspond with the joints at which each portion of the cube interlocks. These lines, as represented in your foam model, should not be glued together.

Step Three:

Repeat the process above with your remaining drawings producing two more cubes, for a total of three interlocking cube models.

Step Four:

Once you have produced three models, consult with your instructor and TA to decide which cube has the most interesting interlocking features and interior space. You will then rebuild this cube out of $1/2"$ x $1/2"$ strips of basswood.



MIT OpenCourseWare
<http://ocw.mit.edu>

4.111 Introduction to Architecture & Environmental Design
Spring 2014

For information about citing these materials or our Terms of Use, visit: <http://ocw.mit.edu/terms>.