



## **Designing Aircraft Systems within Systems of Systems**

**Hydro-Mechanical and Electrical Systems  
Examples**

**October 26, 2004**



## Sources of materials

- The system schematics are Boeing proprietary graciously given by Boeing personnel for the educational purposes of this course
  - Page 6 MD-11 braking system architecture
  - Page 15 B717 autobrake system control
  - Page 17 MD-11 electrical power system architecture
  - Page 18 MD-11 hydraulic power system architecture
- The rest of the material is taken from the personal experience of the author as first a system design engineer and as an engineering executive



## Designing within Systems of Systems

- Braking System design examples  
    Within....
- An aircraft system of systems
- A design process & corporate system
- Airline and ATC systems
- Economic and educational systems



## Systems Engineer/Manager Certification Course

- “The course I wanted when I was a starting system designer”
- 15 Subjects from aero to electrical installations, to design for safety, maintainability, certification, to...
- 58 class periods, a year’s commitment
- Applauded by the FAA certification branch



## Braking System Design Objectives

- Safety
- Performance: Landing, RTO distances, energy
- Longevity, reliability, dispatchability
- Design, production, maintenance costs (DTC)
- Weight, strength
- Schedule, cycle-time
- Technology
- Certification / Regulatory compliance / Testing
- Human Factors / Pilot interface





## Braking system architecture

- Architecture determined by *Safety*
- Basic safety design requirements
- Architecture largely determines economics
  - Modularity, LRU's, reuse...
  - Partition to control variability (redundancy)
  - Interfaces
- Basic system engineering trades
  - Design/production cost, performance, cycle time



## Architecture – safety analysis

- FAR 25.1309 Probabilistic safety analysis
- The analytical tools
  - Functional Hazard Analysis (FHA), redundancy, hazard level, separation
  - Fault Tree Analysis (FTA)
  - *Failure Mode and Effects Analysis (FMEA)*
  - *Zonal Analysis & Events Reviews*





## Design challenges

### Landing gear dynamics

- Brake energy

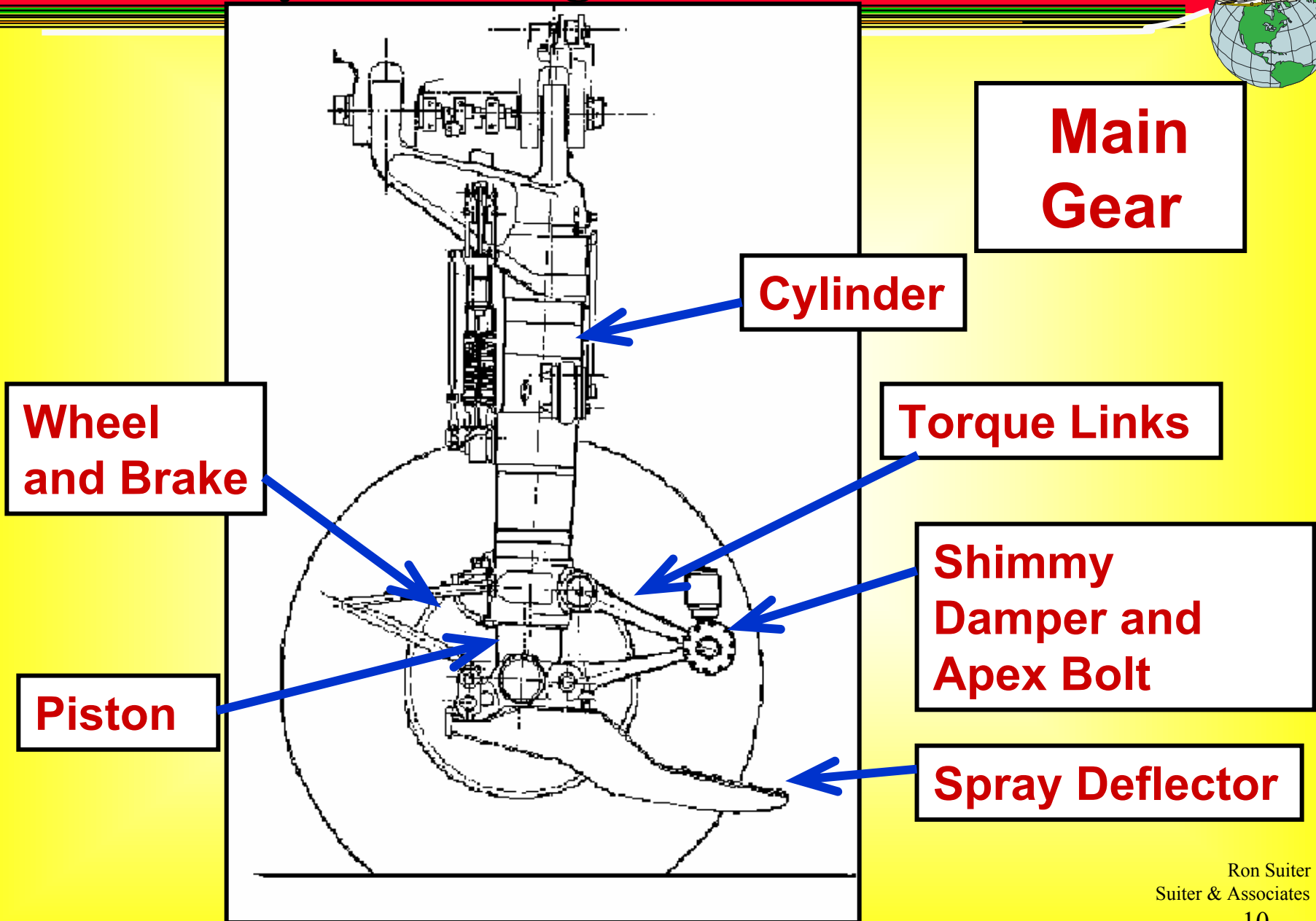
$$\begin{aligned}K(e) &= \frac{1}{2} W/g \times (V_{x,z})^2 \\ &= \frac{1}{2} (450,000 \text{ lb})/32.5 \text{ ft/sec}^2 \times (220 \text{ ft/sec})^2 \\ &\sim 340,000,000 \text{ ft lbs.}\end{aligned}$$

- Vertical energy

$$\begin{aligned}&= \frac{1}{2} (450,000 \text{ lb})/32.5 \text{ ft/sec}^2 \times (10 \text{ ft/sec})^2 \\ &\sim 700,000 \text{ ft lbs.}\end{aligned}$$

- Dynamics – natural frequencies

# Aircraft System Design - MIT



**Main Gear**

**Cylinder**

**Torque Links**

**Shimmy Damper and Apex Bolt**

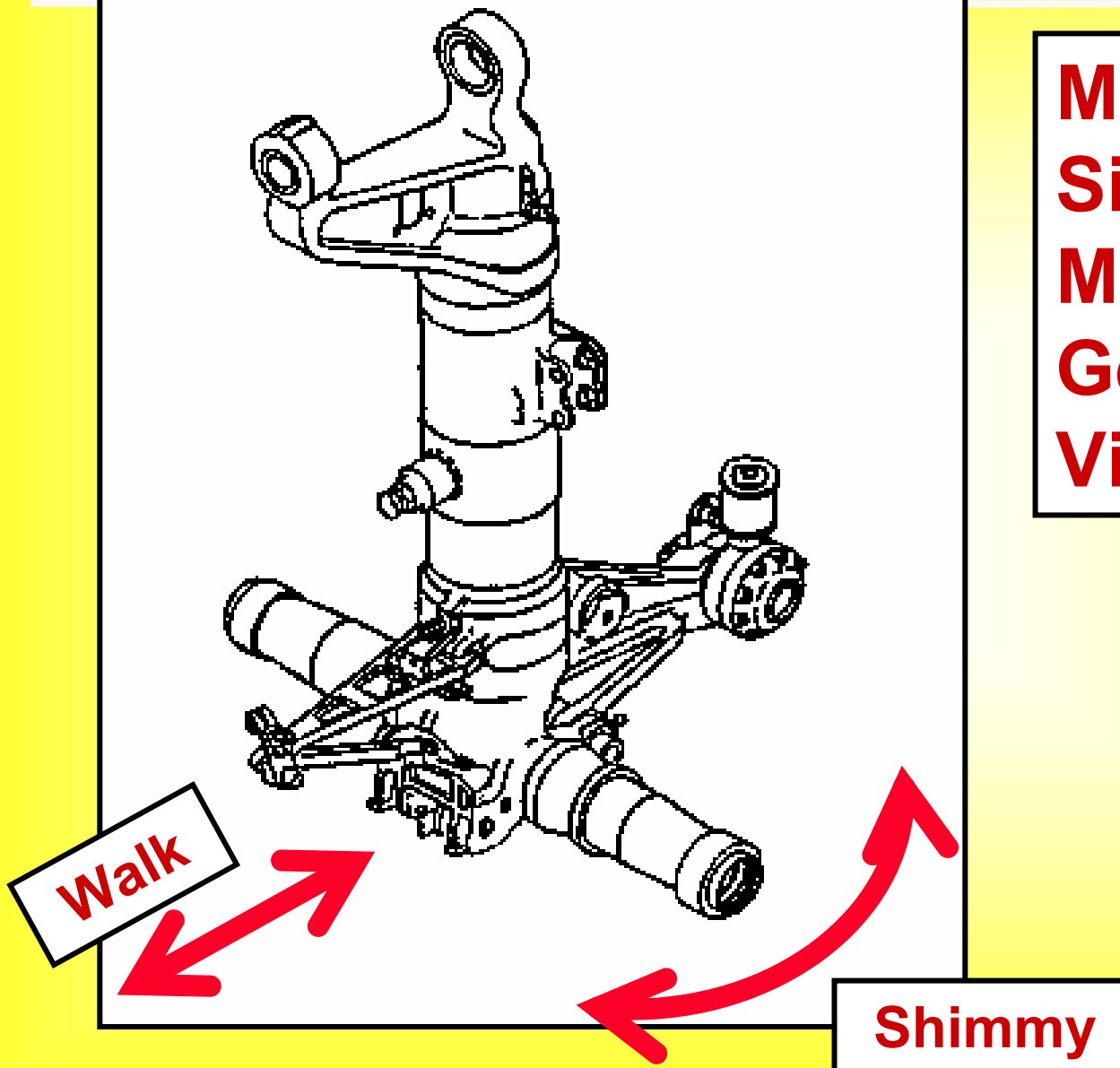
**Spray Deflector**

**Wheel and Brake**

**Piston**

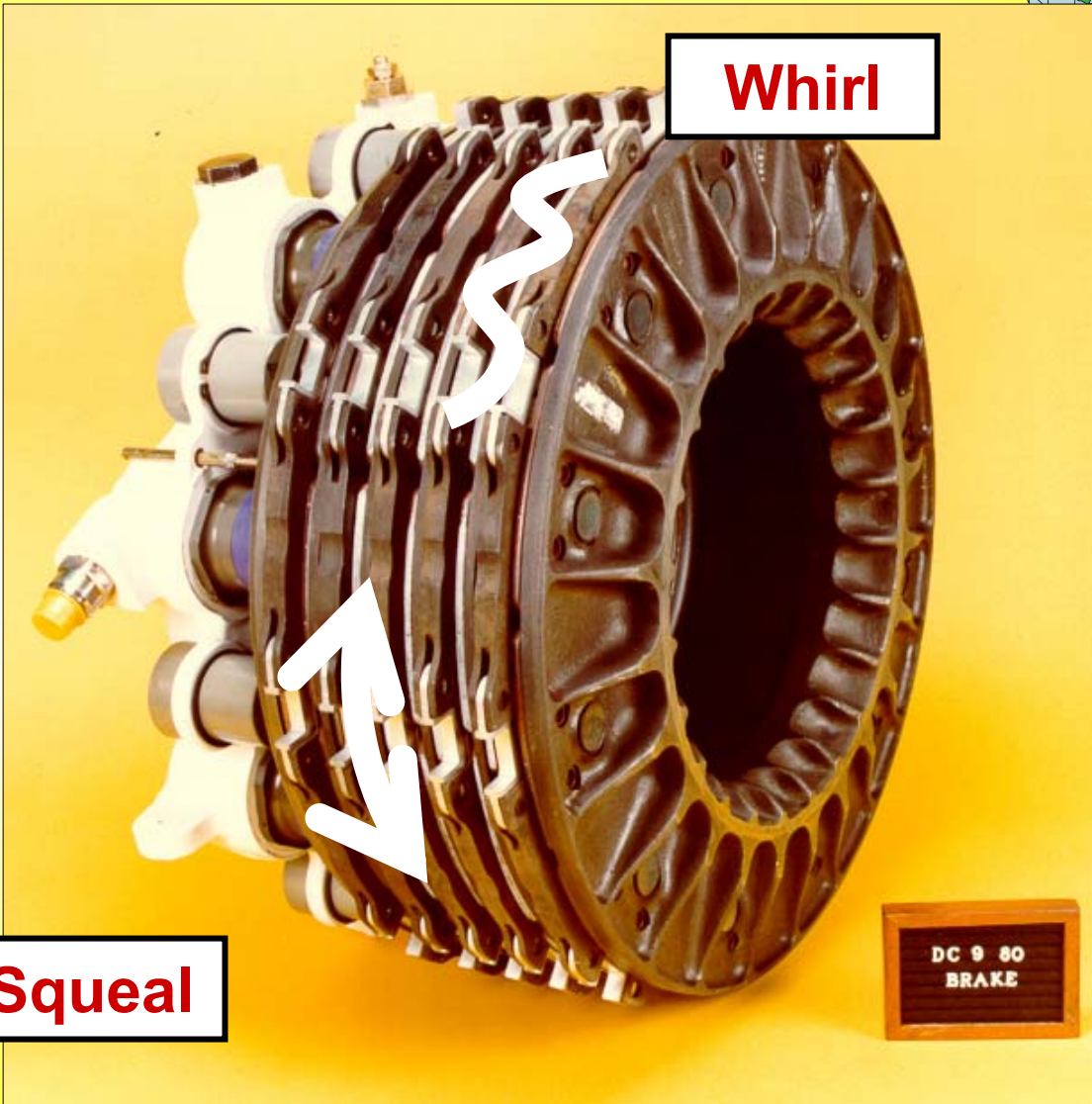


**Most  
Significant  
Modes of  
Gear  
Vibration**





**Most  
Significant  
Modes of  
Brake  
Vibration**

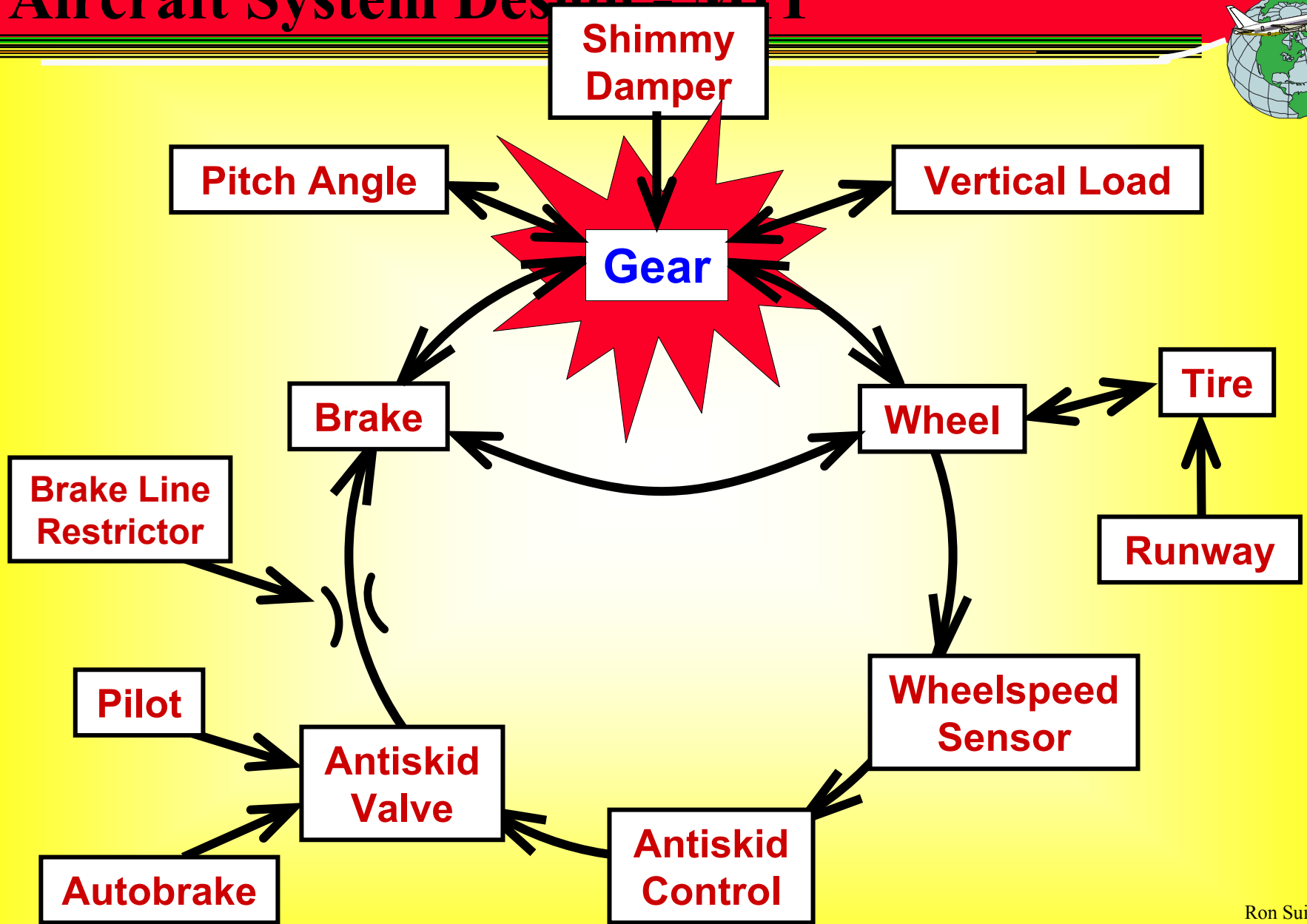


**Whirl**

**Squeal**

DC 9 80  
BRAKE

# Aircraft System Design - MIT





## Auto Brake design for safety

- Fault tree analysis to ensure the probability of the brakes coming on when not commanded is less than  $10^{-9}$
- 100 Seat aircraft Autobrake design objective met using Fault Tree Analysis





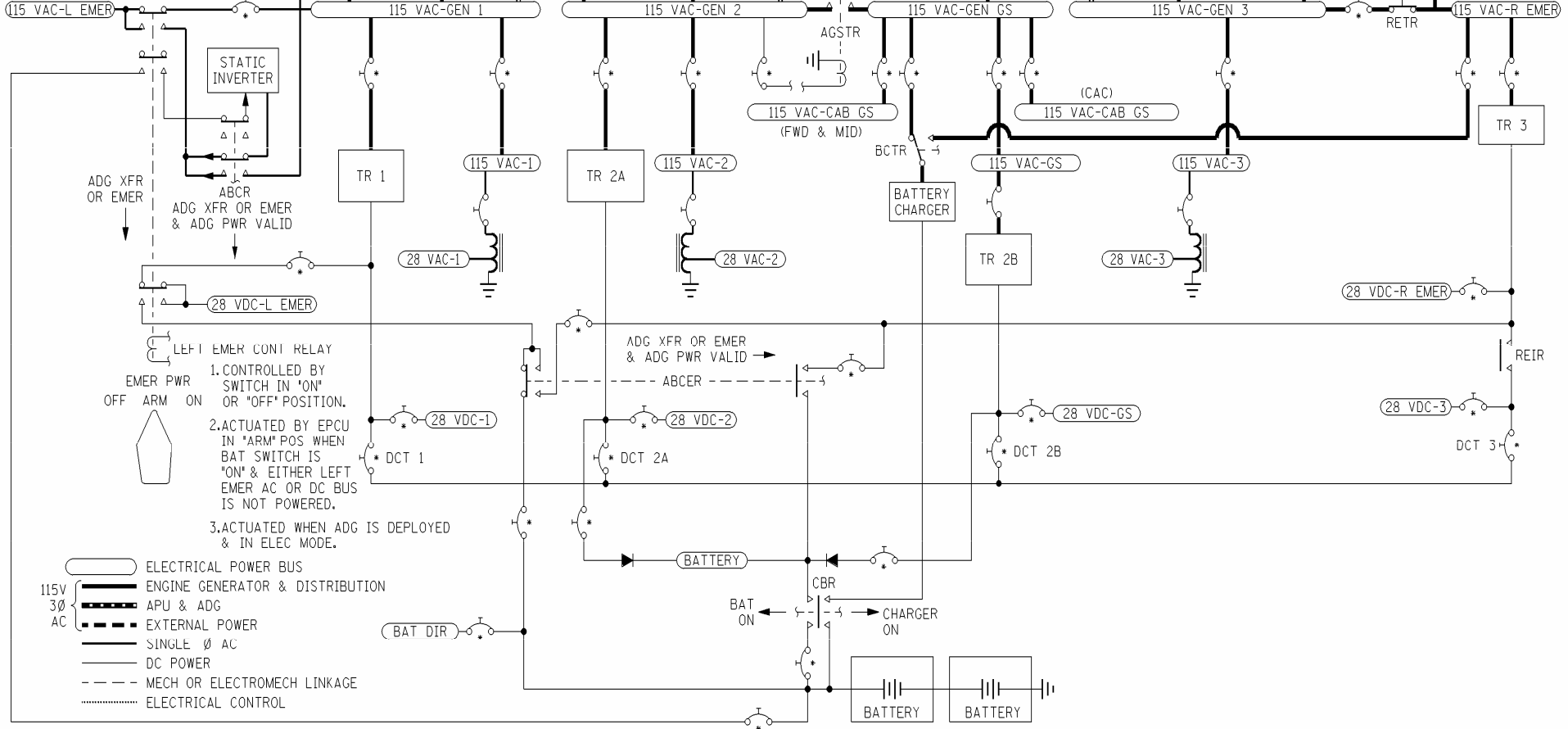
## Interfaces w/ the aircraft system

- Electrical power
  - Failure modes
  - Power quality, transients + & -, power xfer
  - Voltage levels & frequency, 115vac 400 Hz, 28vdc
  - Wire separation, EMI & redundancy
- Hydraulic power
  - Availability, redundancy, system separation, failures
  - Flow rates
  - Fluid properties
- Environment
  - Temperature, cooling
  - Vibration & shock, EMI



ABCR.....ADG/BAT CHARGER ENABLE RELAY  
 ABCR.....ADG/BAT CONTROL RELAY  
 ADG.....AIR DRIVEN GENERATOR  
 AGSTR.....AC GROUND SERVICE TIE RELAY  
 AHXR.....AUX HYD PUMP TRAFER RELAY  
 APR.....AUXILIARY POWER RELAY  
 APU.....AUXILIARY POWER UNIT  
 BCTR.....BAT CHARGER TRANSFER RELAY  
 BTR.....BUS TIE RELAY  
 BTR-EP.....BUS TIE RELAY-EXTERNAL POWER  
 CBR.....CHARGER BATTERY RELAY  
 DCT 1.....DC TIE 1 RCCB  
 DCT 2A.....DC TIE 2A RCCB  
 DCT 2B.....DC TIE 2B RCCB  
 DCT 3.....DC TIE 3 RCCB  
 EPCU.....ELECTRICAL POWER CONTROL UNIT  
 EPR.....EXTERNAL POWER RELAY  
 GCU.....GENERATOR CONTROL UNIT  
 GLCU.....GALLEY LOAD CONTROL UNIT  
 GR.....GENERATOR RELAY  
 GS.....GROUND SERVICE  
 GSR.....GROUND SERVICE RELAY  
 GTR.....GALLEY TRANSFER RELAY  
 IDG.....INTEGRATED DRIVE GENERATOR  
 RCCB.....REMOTE CONTROL CIRCUIT BREAKER  
 REIR.....RIGHT EMERGENCY ISOLATION RELAY  
 RETR.....RIGHT EMERGENCY TRANSFER RELAY  
 TR.....TRANSFORMER RECTIFIER

RCCB IDENTIFIED BY \*



( ) ELECTRICAL POWER BUS  
 115V 3Ø AC ENGINE GENERATOR & DISTRIBUTION  
 3Ø AC APU & ADG  
 AC EXTERNAL POWER  
 SINGLE Ø AC  
 DC POWER  
 --- MECH OR ELECTROMECH LINKAGE  
 ..... ELECTRICAL CONTROL

EMER PWR OFF ARM ON  
 LEFT EMER CONT RELAY  
 1. CONTROLLED BY SWITCH IN "ON" OR "OFF" POSITION.  
 2. ACTUATED BY EPCU IN "ARM" POS WHEN BAT SWITCH IS "ON" & EITHER LEFT EMER AC OR DC BUS IS NOT POWERED.  
 3. ACTUATED WHEN ADG IS DEPLOYED & IN ELEC MODE.

NOTE:  
 GSR CAN BE ENERGIZED TO EXT PWR POSITION ONLY

SIGNALS TYPICAL FOR 3 ENGINE GCUs

REQUEST TO CLOSE APR WHEN APU GEN IS READY, BIT INFO

GENERATOR PARAMETERS, CHANNEL STATUS, BIT INFO

BTR & DCT AUTOLAND OVDR FREQUENCY CONTROL

MAIN EXTERNAL POWER RECEPTACLE

ADG

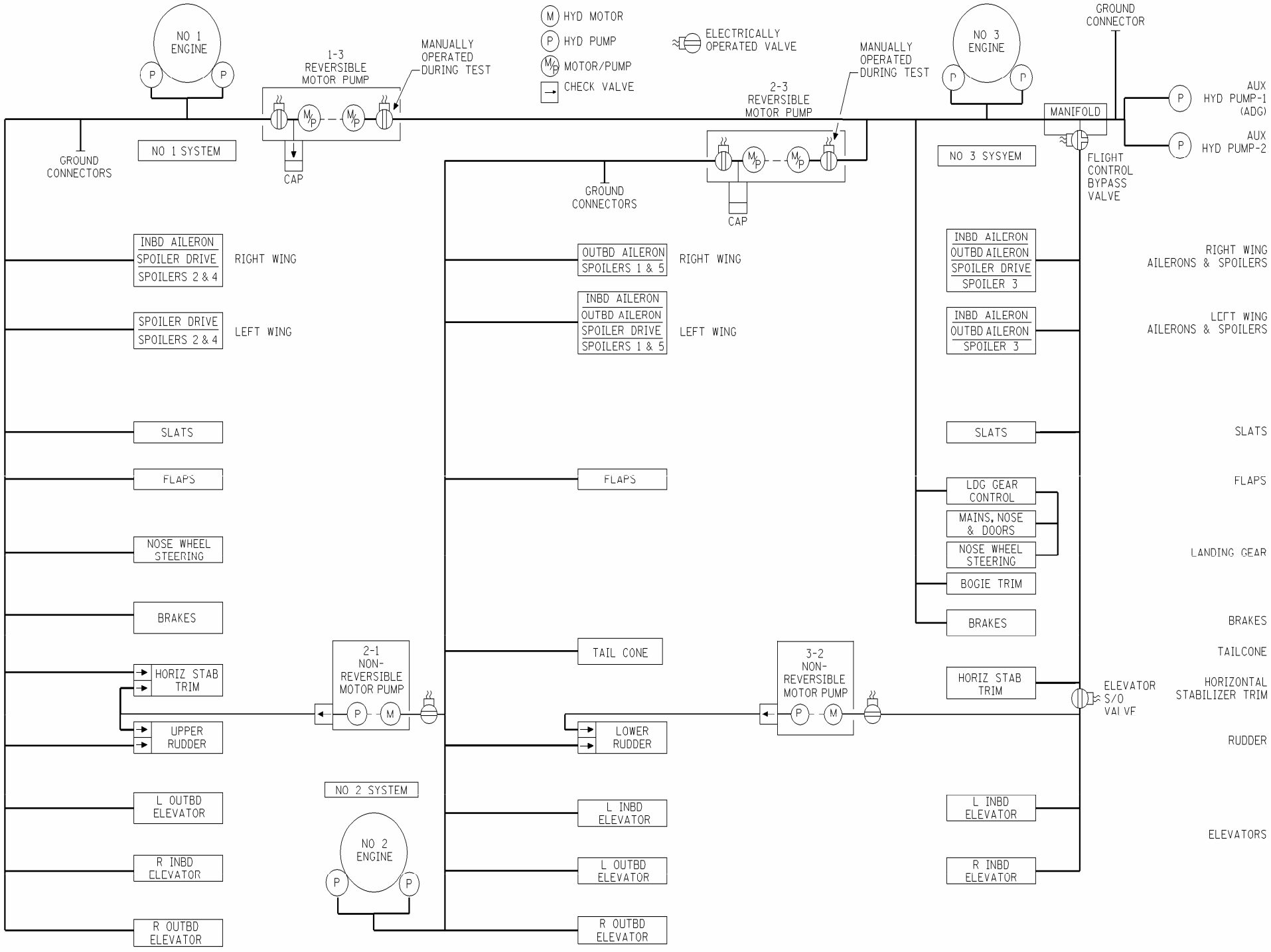
AUX HYD PUMP-1

BAT ON

CHARGER ON

BATTERY

BATTERY

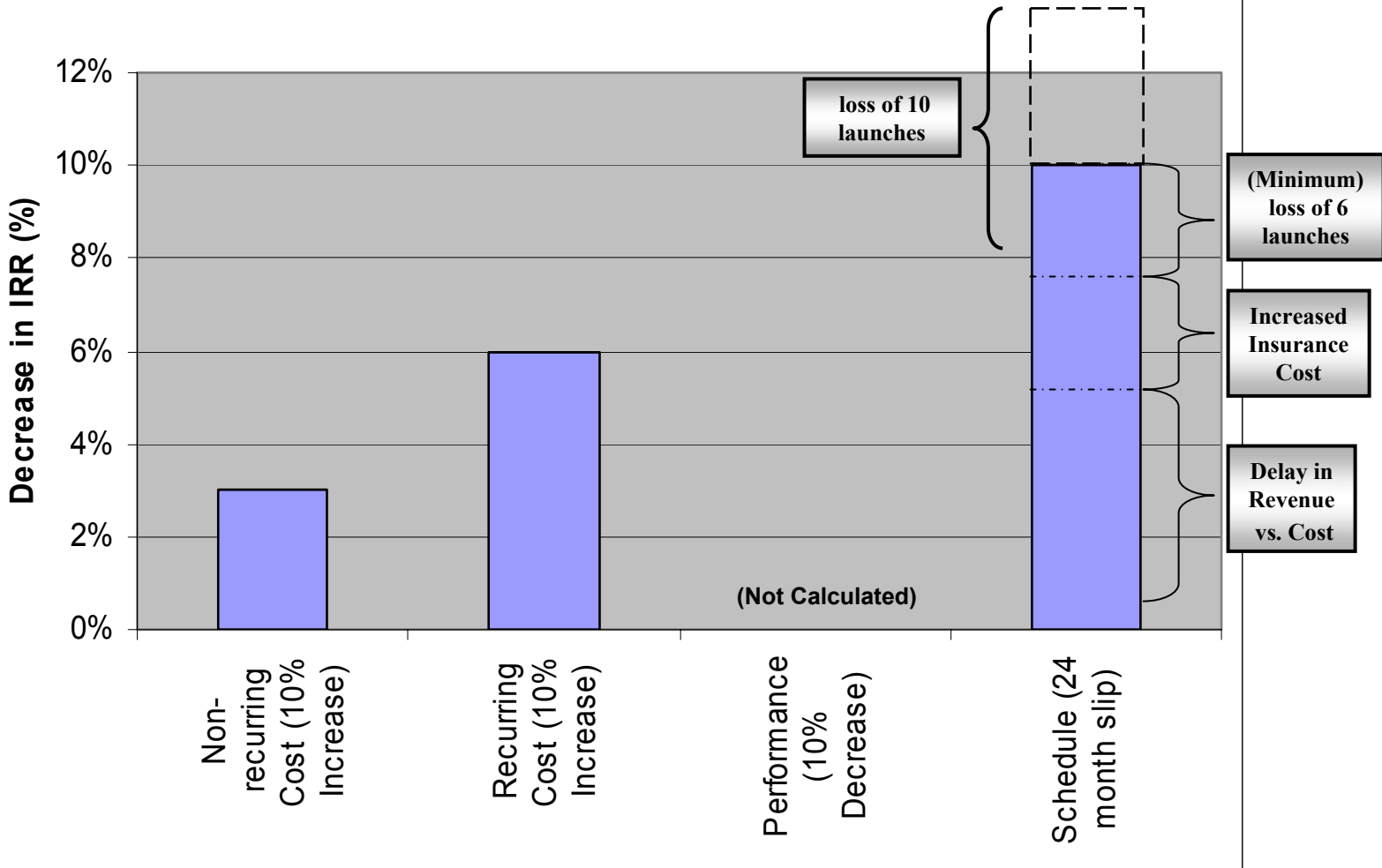




## Design Process and Program Management systems

- **SE trades, cost, performance, schedule**
- **Risk management. What is the BIG risk?**

# ELV Business Case Sensitivity





## Design Process and Program Management systems

- **Long cycle times – 48 months?**
- **Development cost vs. program ROI**
- **What is the purpose of engineering?**



## Impact of the design process on company viability

- Aircraft production example

# Results of airplane production analysis:

- Strategic cost driver (1985 - 1990):  
personnel experience dilution
- Policy contradiction (1987-1989):  
increased build target + cap on hiring
- Parts count / design complexity
- Removal of hiring cap (1990):
  - Throughput targets achieved
  - Per-airplane cost declined 45% in one year



## Design drives company viability

- 80 + % of product cost determined early
- Company viability / ability to close the business case on new designs determines ability to launch new products
- Flow of new products develops engineering experience base critical to good design





## Airline systems

- Airline viability ~ ability to buy / launch airplanes
  - Driven by 7 to 10 year business cycle
  - Sensitive to special events, Gulf, 9/11
  - High capital, labor costs, very thin margins
  - Long aircraft acquisition lead times
  - Business model, network structure



## ATM System (of systems)

- Challenge to expand capacity of National Airspace System (NAS) by 2X by 2025?
- Impact of aircraft economics on NAS
- Divide workload between cockpit and ground
- Value to airlines to equip?

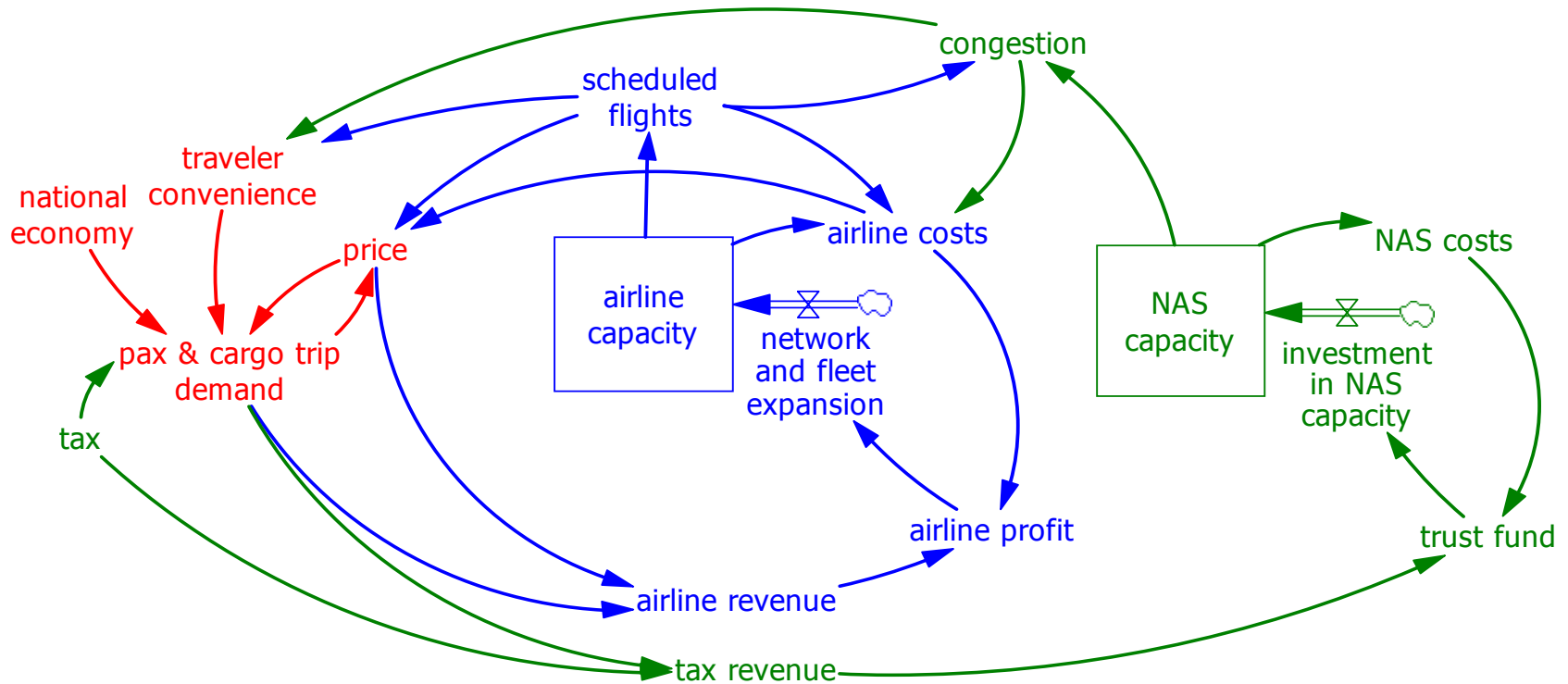


## NAS Strategy Simulator Overview

passengers and cargo

airlines

NAS





## The critical issues

- SE / program management interface
  - Ability to manage / trade the **BIG** risks
- Design cycle time
- Ability to close business case on new planes
- Personnel experience management
- Enterprise portfolio of technologies and programs to minimize risk
- Program management and corporate culture



## Direction of Solution

- Top-down design tools - architecture
- Model-based design - technical **and** organization performance
- Enterprise simulation based technology and program portfolio management decision support
- *Change the paradigm in concurrent engineering & engineering personnel management*
  - *JPL Project Design Center*
  - *Drop pay-to-market HR policies*



## The Future

- *Ability to deal with complexity of systems of systems “top-down”*
  - *The solution to your system problem can be found in the larger or adjacent systems*
- *Designing airplanes within the context of...organization, airline/ATC, economic systems*
- *The challenge – pick YOUR system and improve its viability*